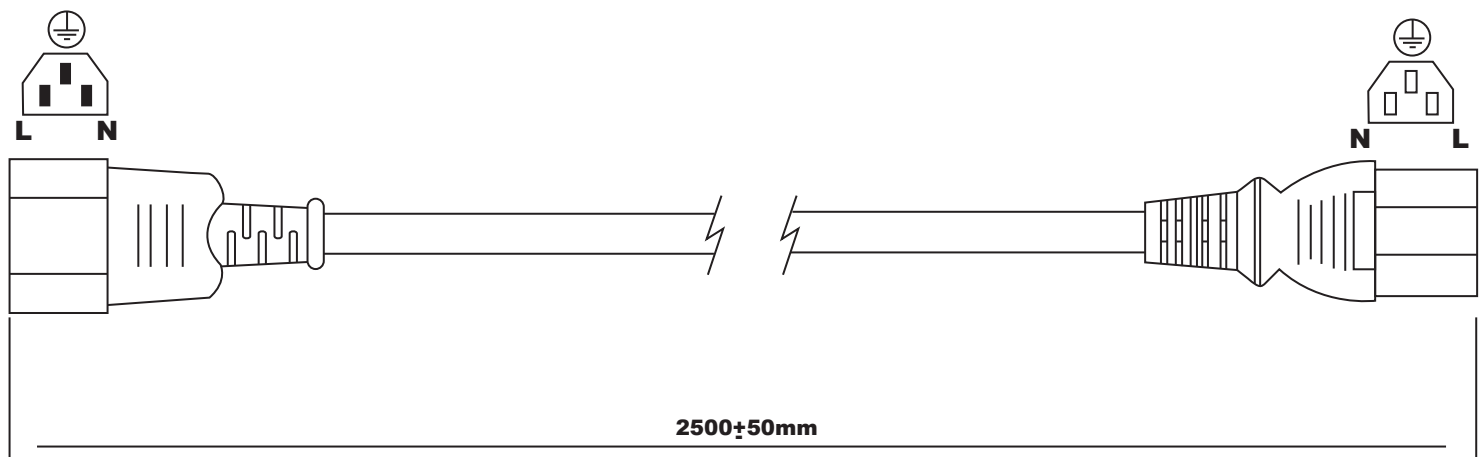
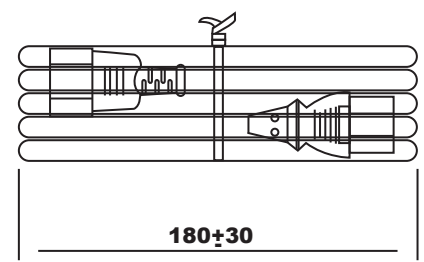


RoHS



Wiring Color:
 E:Yellow/Green
 N:Blue
 L:E88265 SVT 18AWGx3C VW-1 CSALL81924 FT2



No.	BOM Item	Q'TY	Part No.
1	KPR-11	3PCS	BBN11000
2	IS-011	1PCS	MP0110
3	IS-011	1PCS	MI011000
4	PVC 50P (IS-011) CT-12	12g	RPP05012
5	KPR-14	3PCS	BBB14000
6	IS-14	1PCS	MI014000
7	PVC50P(IS-14) CT-12	20g	RPP05012

Description	
Name :	AK500-OE-11-2.5-R Power Cord
ASSMANN Electronic Components	

THIS DRAWING IS UNPUBLISHED
 © Copyright 2005 by Assmann Electronic Components All International Rights Reserved
 This drawing is a controlled document for Assmann Electronics, Inc. It is subject to change and the controlling engineering organization should be contacted for the latest revision.