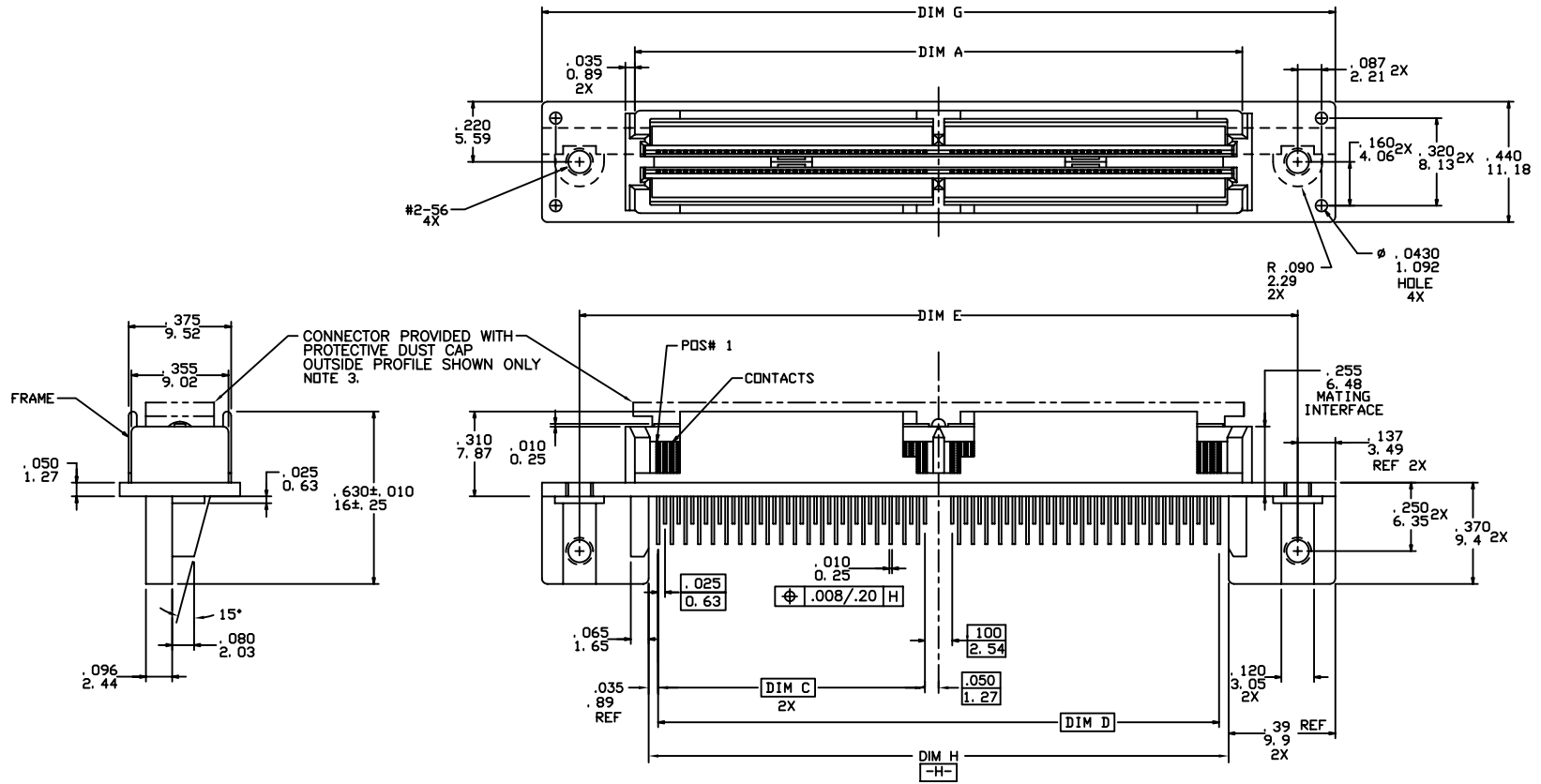


PRODUCT NUMBER
SEE TABLE

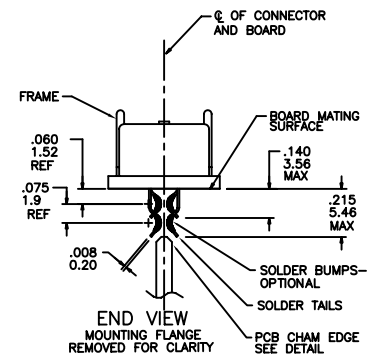
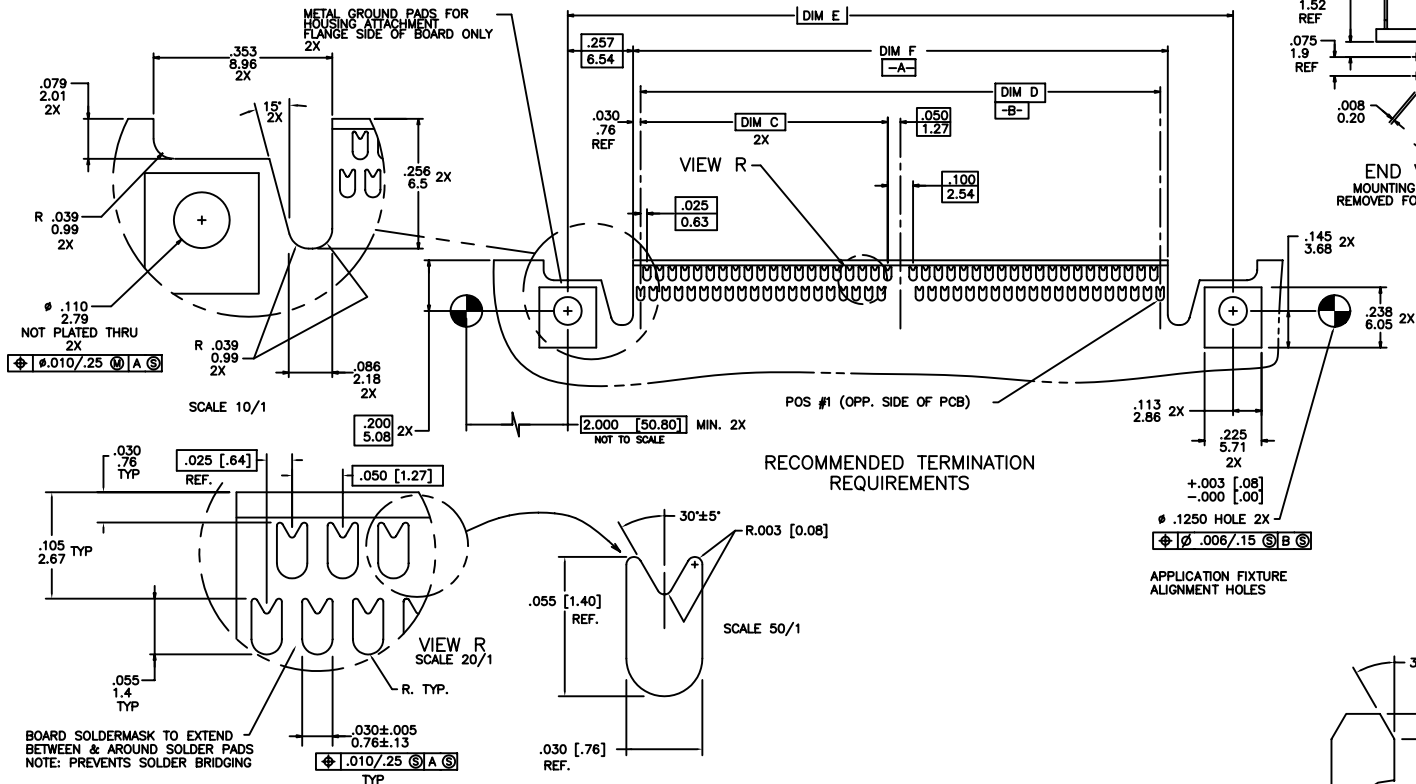


Copyright FCI

mat'l. code		surface		tolerance		projection		product family	
NOTE 1		ISO 1902		ISO 406 ISO 1101				MICROPAX	
ltr	ecn no	dr	date	tolerances unless otherwise specified				title	
C	V40224	MRC	1/10/94	angles	linear			.025M STRADDLE PLUG DOUBLE MODULE	
D	V60691	LSS	4/23/96					dwg no	
E	V60749	EPK	6/17/96	0°±2'				sheet 1 of 2	
F	V12115	MEM	10/9/01	dr	L.POTTEIGER			size	
G	M06-0363	MHT	9/18/03	engr	T.LEMKE			91895	
H	M08-0251	MHT	9/08/08	chr	T.LEMKE			A3	
sheet		revision		H	H			type	
index	sheet	1	2					Product Customer Drawing	

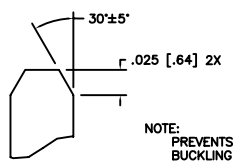
form A3

PRODUCT NUMBER NOTE 4	NO. OF CONTACTS	DIM A	DIM C	DIM D	DIM E	DIM F	DIM G	DIM H	BOARD THICKNESS	SOLDERBUMP	CONTACT PLATING NOTE 2
91895-001	180	2.220/56.39	.975/24.76	2.050/52.07	2.625/66.68	2.110/53.59	2.900/73.66	2.120/53.85	.062/1.58	NO	30 GXT
91895-101										YES	
91895-003	200	2.720/69.09	1.225/31.12	2.550/64.77	3.125/79.38	2.610/66.29	3.400/86.36	2.620/66.55	.062/1.58	NO	30 GXT
91895-103										YES	



RECOMMENDED TERMINATION REQUIREMENTS

POS #1 (OPP. SIDE OF PCB)
 .113 2.86 2X
 .225 5.71 2X
 +.003 [.08]
 -.000 [.00]
 .1250 HOLE 2X
 .006/.15 B B
 APPLICATION FIXTURE ALIGNMENT HOLES



PCB CHAMFER DETAIL
SCALE 20/1

NOTES:

- MATERIALS:
 DIELECTRIC: LCP
 CONTACTS: PHOS. BRZ.
 FRAME: ZINC ALLOY #3
- PLATING:
 SOLDER TAILS: 150u"/3.81um Sn Pb
 FRAME: 100u"/2.54um Ni
 CONTACT: 30u"/0.76um GXT OVER 50u"/1.27um Ni
LEAD FREE OPTION:
 SOLDER TAILS: 150u"/3.81um Sn
 FRAME: 100u"/2.54um Ni
 CONTACT: 30u"/0.76um GXT OVER 50u"/1.27um Ni
- DO NOT REMOVE PROCESSING CAP UNTIL SOLDERING IS COMPLETED.
- ADD "LF" SUFFIX AT THE END OF PART NUMBER FOR LEAD FREE OPTION.
- THE HOUSING WILL WITHSTAND EXPOSURE TO 260°C PEAK TEMPERATURE FOR 20 SECONDS IN A CONVECTION, INFRA-RED OR VAPOR PHASE REFLOW OVEN.
- THIS PRODUCT MEETS EUROPEAN UNION DIRECTIVES AND OTHER COUNTRY REGULATION AS DESCRIBED IN GS-22-008.
- SEE BUS-20-084 (SET-UP APPLICATION SPEC.) FOR REFERENCE.

mat'l. code	NOTE 1	surface	ISO 1902	tolerance	ISO 406	projection	product family
ltr	ecn no	dr	date	tolerances unless otherwise specified	ISO 1101	INCH/MM	MICROPAX
H				angles	.XX±.01/XX±0.3	scale 1:1	title
				linear	.XXX±.006/XXX±0.13		.025M STRADDLE PLUG DOUBLE MODULE
				0°±2'	.XXX±.0020/XXX±0.051		dwg no
				dr	L.POTTEIGER 2/17/92		sheet 2 of 2
				engr	T.LEMKE 2/17/92		size
				chr	T.LEMKE 2/17/92		A3
				appd	T.LEMKE 2/17/92		type
sheet index	revision sheet						Product Customer Drawing

FCJ
 FCconnect.com
 Copyright FCJ