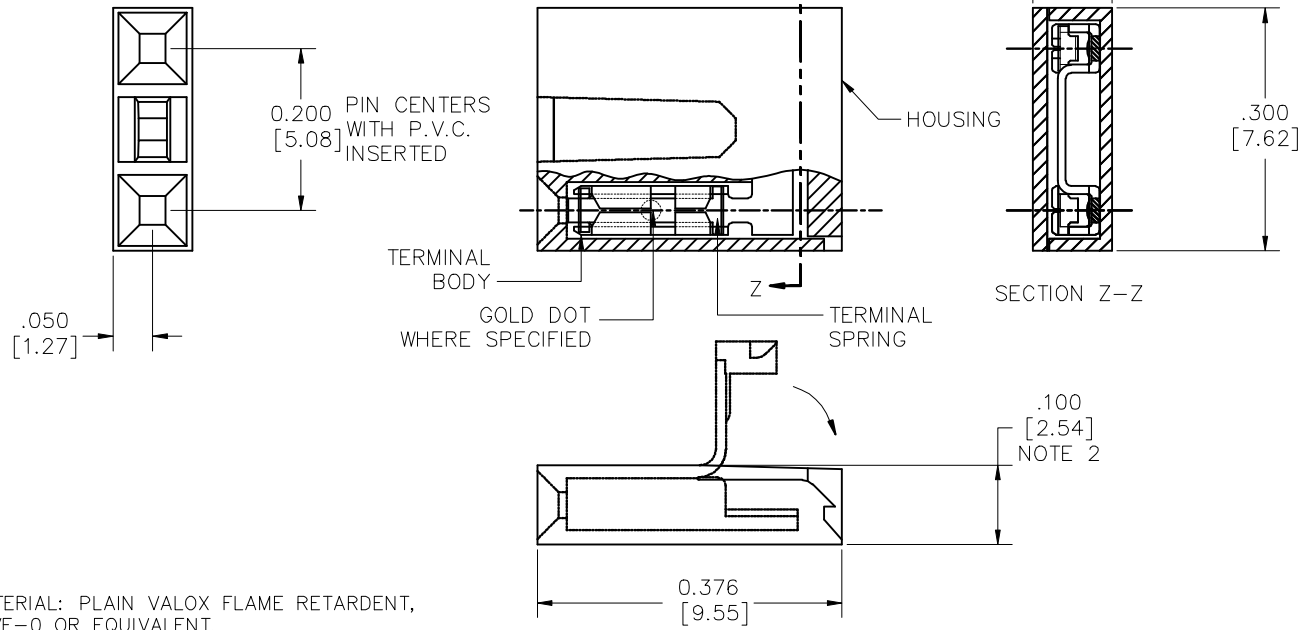


PRODUCT NO.
SEE SHT. 2

1 | 2 | 3 | 4 | 5 | 6



NOTES

- HOUSING MATERIAL: PLAIN VALOX FLAME RETARDENT, PER UL 94-VE-0 OR EQUIVALENT. COLOR WHITE
- .100/2.54 MAX. APPLIES TO HOUSING BODY.
.105/2.67 MAX. APPLIES TO BODY AND LID, AFTER LID IS CLOSED PER TMS-258-88
- ADD 'LF' SUFFIX AT THE END OF PART NUMBERS FOR LEAD FREE OPTION.
- IF 'LF' THE P/N THE PRODUCT MEETS EUROPEAN UNION DIRECTIVES AND OTHER COUNTRY REGULATION AS DESCRIBED IN GS-22-008.
- THE PRODUCT IS NOT INTENDED TO BE EXPOSED TO A MANUFACTURING SOLDER PROCESS.

mat'l. code				surface ISO 1302	tolerance ISO 406 ISO 1101	projection	product family JUMPER	
ltr	ecp no	dr	date	tolerances unless otherwise specified			title	
F	M06-0187	MHT	5/15/06	linear	.XX±.01/XX±.03	INCH/MM	MINI JUMP CONNECTOR ASS'Y 200 cc	
G	M07-0112	MHT	2/14/07	linear	.XXX±.006/XXX±0.13			
H	M09-0065	MHT	4/13/09	0°±2'	.XXX±.0020/XXX±0.051	scale 10:1	dwg no 65771	
				dr	J.W. BAIR	2/3/89	sheet 1 of 2 size A3	
				engr	M.HAHN	2/3/89	type Product Customer Drawing	
				chr				
				appd	M.HAHN	2/3/89		
sheet index	revision sheet	H	H					
		1	2					

FCJ
 FCconnect.com
 Copyright FCJ

form A3 | 1 | 2 | 3 | 4 | 5 | 6

PRODUCT NO. NOTE 3	TERMINAL		TERMINAL SPRING	
	BODY MATERIAL	CONTACT PLATING	MATERIAL	PLATING
65771-001	.010/.025 THK. 1/4 HD. BRASS ALLOY UNS C26000	1.02μ/40μ" AU OVER 1.27μ/50μ" NICKEL	.122/.0048 THK BE-CU ALLOY	GOLD FLASH
65771-002		TIN LEAD	UNS C17200 HEAT TREATED	TIN PLATED
65771-003	—	—	—	—
65771-004	.010/.025 THK. 1/4 HD CU-NI ALLOY UNS C72500	.03/.001 MIN THK. GOLD DOT	.122/.0048 THK BE-CU ALLOY UNS C17200 HEAT TREATED	GOLD FLASH
65771-005	.25/.010 BRASS	.76μ/30μ" AU		GOLD FLASH

OBSOLETE

LEAD FREE OPTION

PRODUCT NO.	TERMINAL		TERMINAL SPRING	
	BODY MATERIAL	CONTACT PLATING	MATERIAL	PLATING
65771-001LF	.010/.025 THK. 1/4 HD. BRASS ALLOY UNS C26000	1.02μ/40μ" AU OVER 1.27μ/50μ" NICKEL	.122/.0048 THK BE-CU ALLOY	GOLD FLASH
65771-002LF		TIN	UNS C17200 HEAT TREATED	TIN PLATED
65771-004LF	.010/.025 THK. 1/4 HD CU-NI ALLOY UNS C72500	.03/.001 MIN THK. GOLD DOT	.122/.0048 THK BE-CU ALLOY UNS C17200 HEAT TREATED	GOLD FLASH
65771-005LF	.25/.010 BRASS	.76μ/30μ" AU		GOLD FLASH

mat'l. code		surface	tolerance	projection	product family
ISO 1302		ISO 406	ISO 1101		JUMPER
tolerances unless otherwise specified		linear		INCH/MM	title
H		.XX±.01/.X±0.3		scale 10:1	MINI JUMP
angles		.XXX±.006/.XXX±0.13			CONNECTOR ASS'Y 200 cc
O'±2'		.XXXX±.0020/.XXXX±0.051			dwg no
dr		J.W. BAIR	2/3/89		sheet 2 of 2 size
engr		M.HAHN	2/3/89		65771
chr					A3
appd		M.HAHN	2/3/89		type
sheet		revision		Product Customer Drawing	
index		sheet			



Copyright FCJ