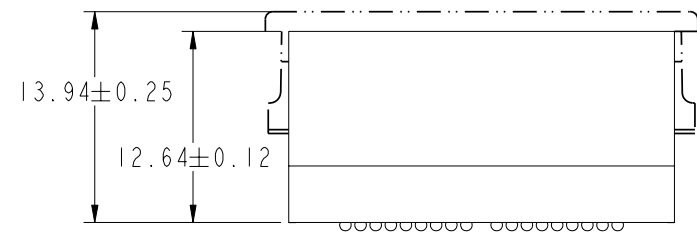
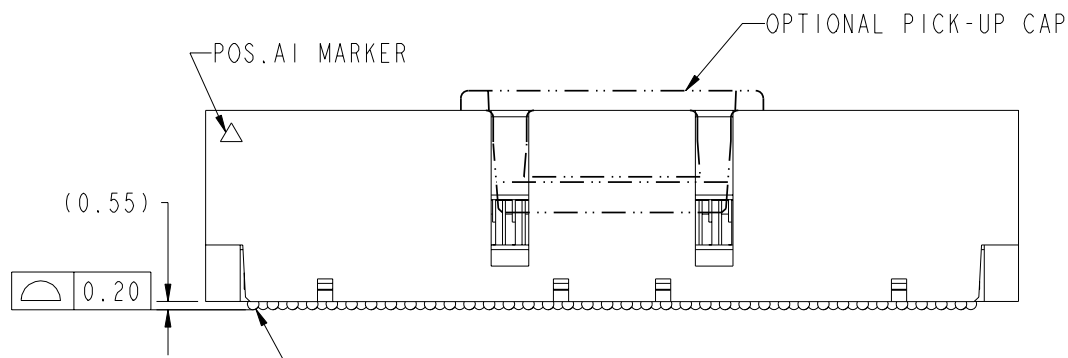
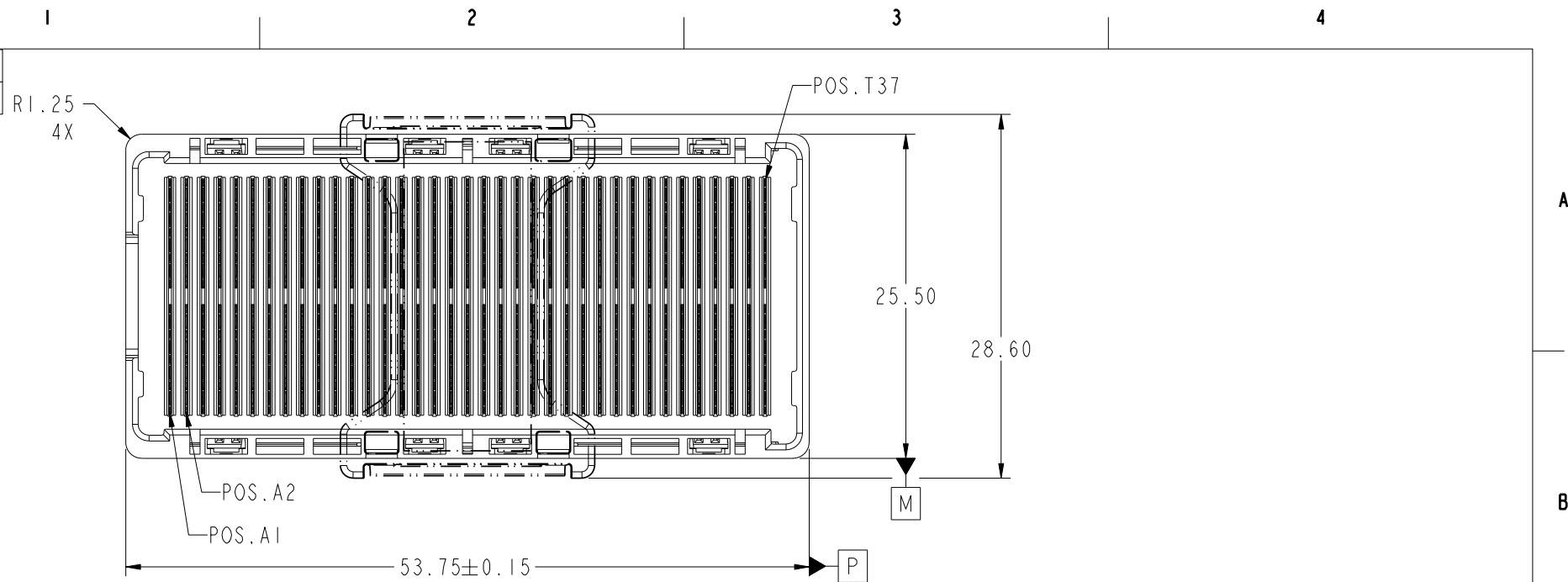


PRODUCT NUMBER
SEE SHEET 4



Ø0.76 SOLDER BALLS

⊕	Ø0.30	P	M
---	-------	---	---

 666X
 SEE NOTE 2

rev	ecn no	dr	date
A	V06-0148	LP	2006-04-24
B	V06-0558	LP	2006-06-21
C	V08-0190	HTB	2008-04-15
D	V09-0071	PK	2009-02-24
-	-	-	-
-	-	-	-
-	-	-	-

www.fciconnect.com		surface 3.2 ASME Y14.5	tolerance std ASME Y14.5	projection 	MM
TOLERANCES UNLESS OTHERWISE SPECIFIED		ANGULAR	LINEAR	size A4	Scale 1:1
Dr	L. POTTEIGER	2005-10-10	0.X	±0.3	ECN V09-0071
Eng	D. HARPER	2005-10-10	0.XX	±0.10	
Chr	D. HARPER	2005-10-10	0°	±2°	Spec ref -
Appr	D. HARPER	2005-10-10	Product family GIG-Array		

FCI title **GIG-Array, PLUG ASSEMBLY** dwg no **10060911** Rev. **D**
 13mm, 296 SIGNAL POSITION
 catalog **PDM: Rev-D** STATUS: **Released** sheet 1 of 4
 CUSTOMER Printed: Sep 03, 2010



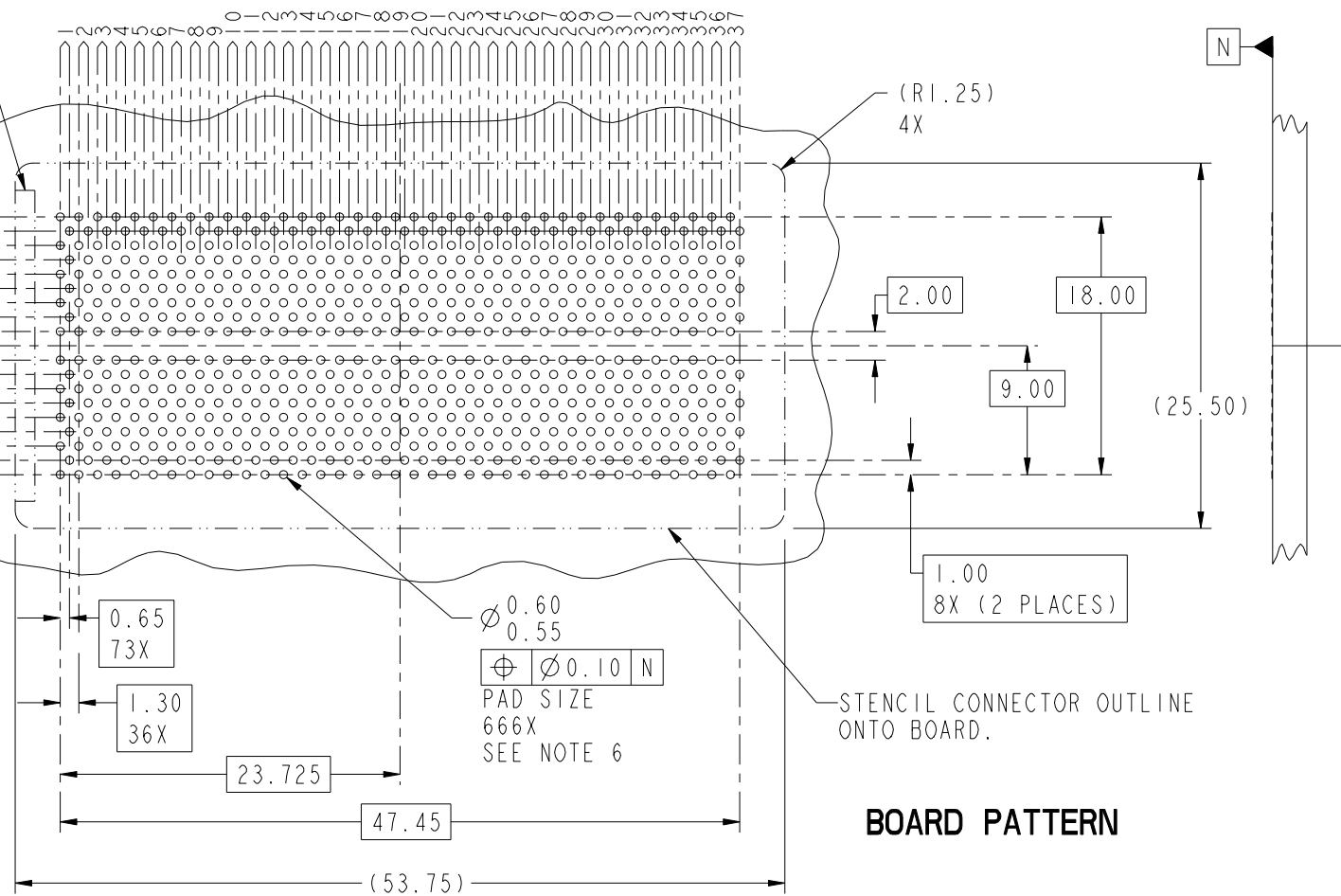
Copyright FCI.

PRODUCT NUMBER
SEE SHEET 4

KEY ORIENTATION SILKSCREEN
(OPTIONAL)

④ CONTACTS IN
ROWS J & K ARE
TIED TOGETHER
(COMMONED)

SEE NOTES 4 & 5



STENCIL CONNECTOR OUTLINE
ONTO BOARD.

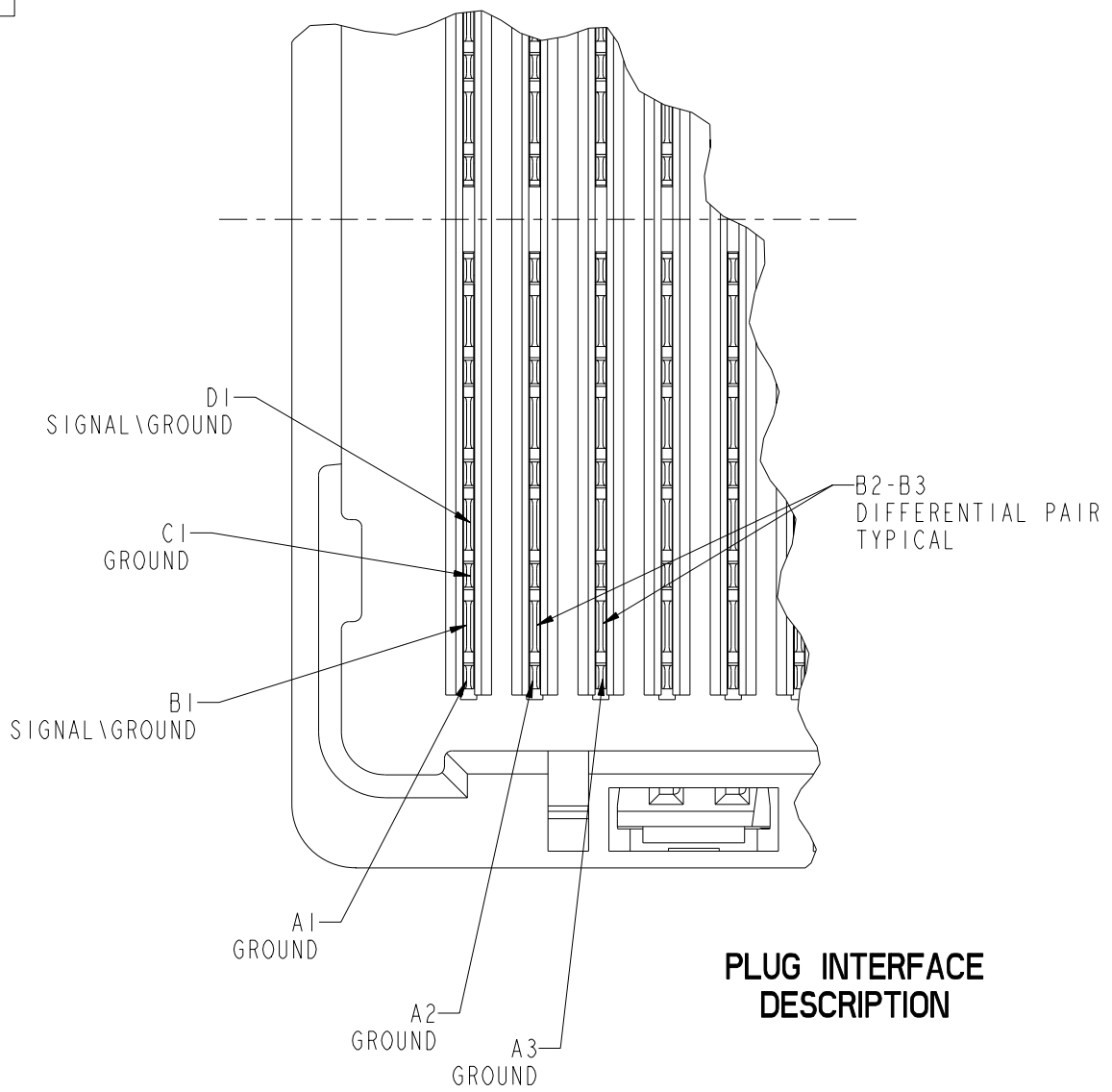
BOARD PATTERN



Copyright FCI.

	Title GIG-Array, PLUG ASSEMBLY 13mm, 296 SIGNAL POSITION catalog	dwg no 10060911 CUSTOMER	Rev. D sheet 2 of 4
	PDM: Rev:D	STATUS: Released	Printed: Sep 03, 2010

PRODUCT NUMBER
SEE SHEET 4



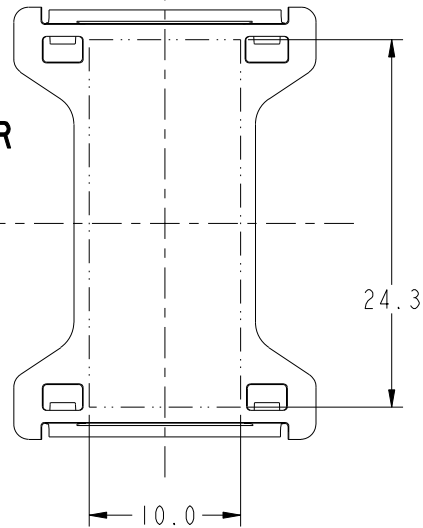
**PLUG INTERFACE
DESCRIPTION**

Copyright FCI.

	title	GIG-Array, PLUG ASSEMBLY	dwg no	10060911	Rev.
	13mm, 296 SIGNAL POSITION				D
catalog	PDM: Rev:D	STATUS: Released	CUSTOMER	sheet 3 of 4	Printed: Sep 03, 2010

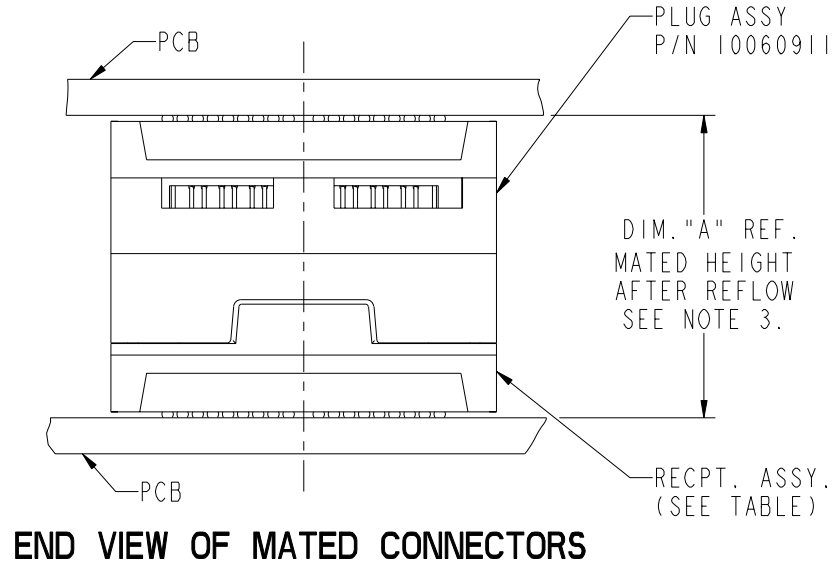
PRODUCT NUMBER	SOLDER BALL
10060911-001	SnPb
10060911-001LF	SnAgCu LEADFREE (7)(8)

FLAT AREA FOR PICK-UP CAP



NOTES:

- ① MATERIAL:
HOUSING: LCP
CONTACT: COPPER ALLOY
PLATING (CONTACT): Au OVER Ni.
UL RATING: 94 V-0
- ② SOLDER BALLS WILL NOT BE PERFECT SPHERICAL SHAPE DUE TO REFLOW ATTACHMENT.
- ③ MATED HEIGHT EFFECTED BY CUSTOMERS' PCB PAD SIZE, PLATING, SOLDER REFLOW PROFILE & SOLDER PASTE.
- ④ CONTACTS IN ROWS A,C,E,G,J,K,M,P,R AND T ARE SINGLE BEAM CONTACTS, TYPICALLY USED AS GROUND PINS. (NOTE: CONTACTS IN ROWS J & K ARE TIED TOGETHER [COMMONED])
- ⑤ CONTACTS IN ROWS B,D,F,H,L,N,Q AND S ARE DUAL BEAM CONTACTS, TYPICALLY USED AS SIGNAL PINS.
- ⑥ SPECIFIED POSITIONAL TOLERANCE DEFINES PAD TO PAD LOCATION WITHIN LAND PATTERN. POSITIONAL TOLERANCE OF LAND PATTERN TO FUDICIAL MARKS OR PCB DATUMS SHALL BE DEFINED BY CUSTOMER. FOR RECOMMENDED PRODUCT APPLICATION AND PCB DESIGN DETAILS, SEE DOC. NO. GS-20-016.



END VIEW OF MATED CONNECTORS

DIM. "A"	RECPT. ASSY. P/N
28	55733
18	55701

NOTES CONTINUED

- ⑦ SPECIFIED POSITIONAL TOLERANCE DEFINES PAD TO PAD LOCATION WITHIN LAND PATTERN. POSITIONAL TOLERANCE OF LAND PATTERN TO FUDICIAL MARKS OR PCB DATUMS SHALL BE DEFINED BY CUSTOMER. FOR RECOMMENDED PRODUCT APPLICATION AND PCB DESIGN DETAILS, SEE DOC. NO. GS-20-016.
- ⑧ FOR PROPER APPLICATION FOLLOW FCI APPLICATION SPECIFICATION GS-20-033 LEADFREE SOLDER BALLS WILL NOT SOLDER PROPERLY IN A LEADED SOLDER PROCESS DUE TO A HIGHER REFLOW TEMPERATURE, LEADFREE PRODUCT IS THEREFORE NOT BACKWARDS COMPATIBLE WITH LEADED OR SOME SOLDERING APPLICATIONS. REFERENCE FCI APPLICATION SPECIFICATION.

	TITLE GIG-Array. PLUG ASSEMBLY	dwg no 10060911	Rev. D
	catalog 13mm, 296 SIGNAL POSITION	CUSTOMER	sheet 4 of 4

Copyright FCI.